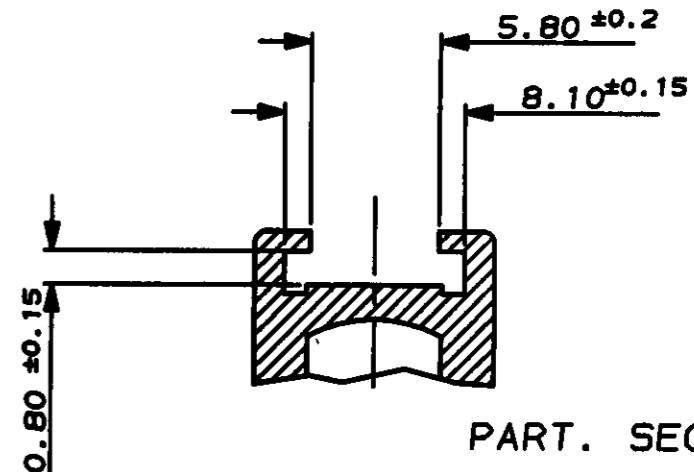
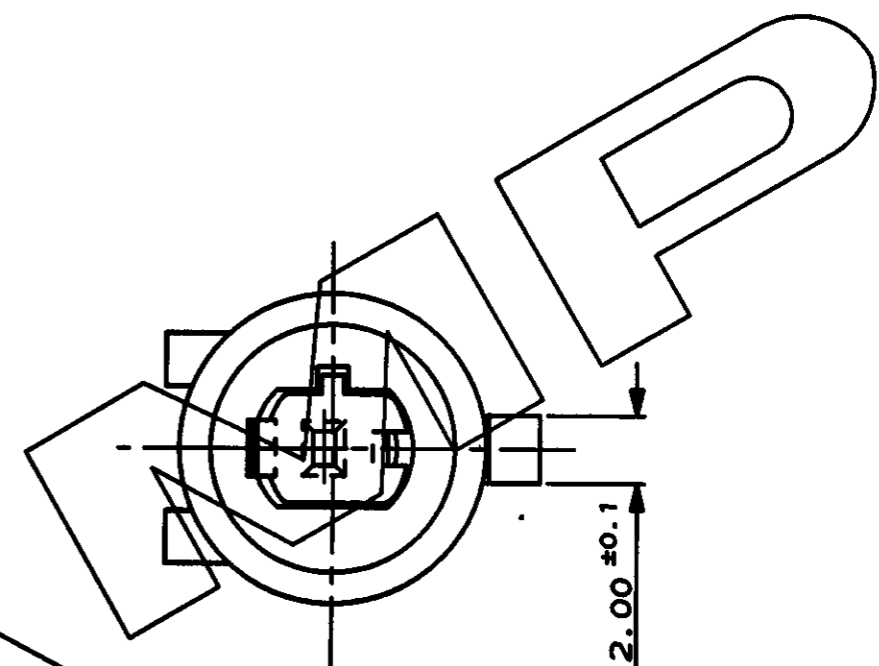
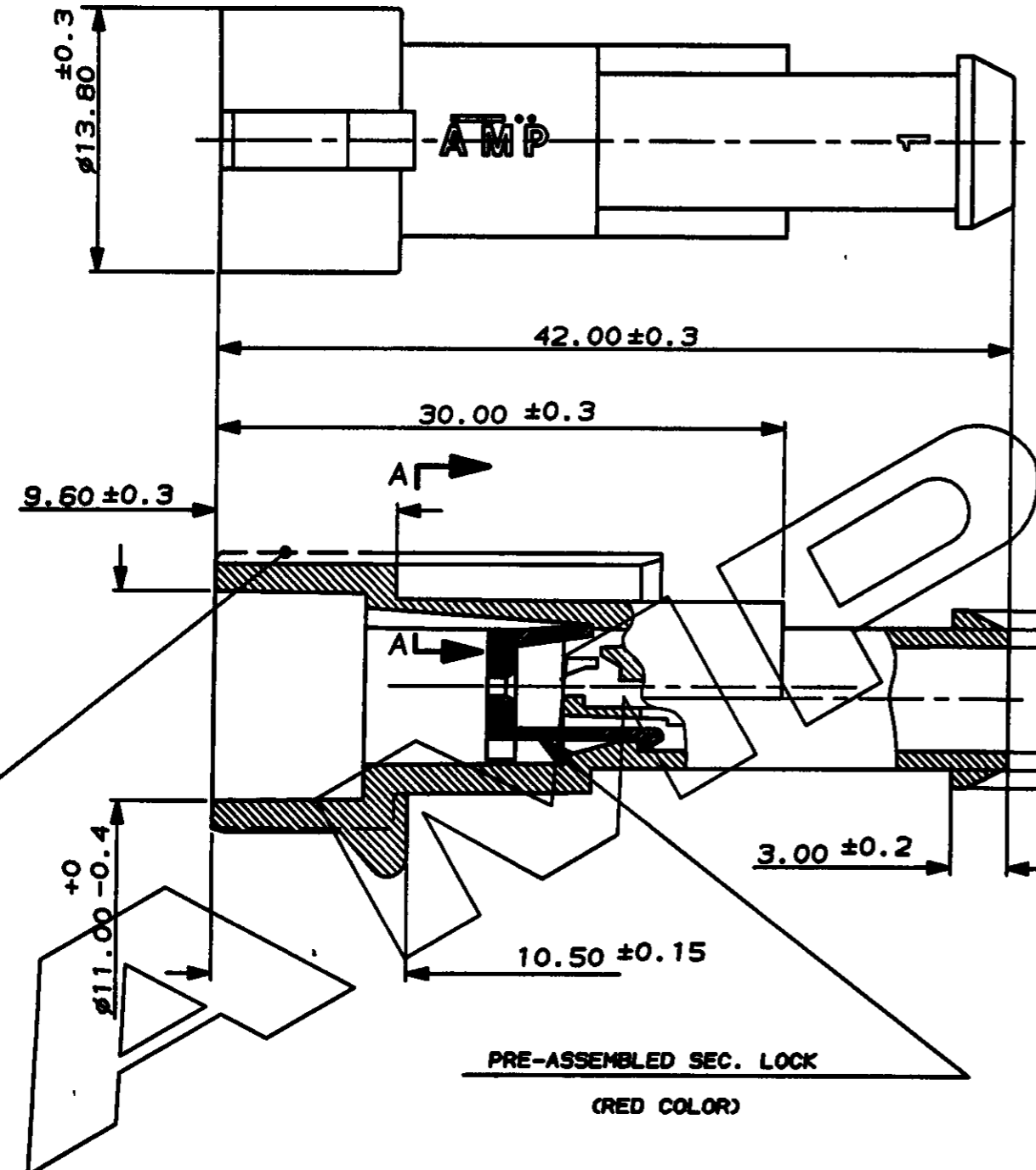


SCALA NON IMPEGNATIVA
(DO NOT SCALE)
DIMENSIONI IN mm
DIMENSIONS IN mm

METRIC

PROIEZIONE EUROPEA
(EUROPEAN PROJECTION)

A
B
C
D
E
F



GREY	G.F. PA66	282103-2
BLACK	G.F. PA66	282103-1
FINITURA / COLORE (FINISH / COLOUR)	MATERIALE (MATERIAL)	NUMERO (PART NUMBER)

CUSTOMER DWG. FOR REFERENCE ONLY DISEGNO PER CLIENTE SOLO PER RIFERIMENTO

THIS DRAWING IS UNPUBLISHED RELEASE FOR PUBLICATION 19

© COPYRIGHT IS BY AMP INCORPORATED, HARRISBURG, PA. ALL INTERNATIONAL RIGHT RESERVED. AMP PRODUCTS MAY BE COVERED BY U.S. AND FOREIGN PATENT AND/OR PATENT PENDING

TOLLERANZE, SE NON DIVERSAMENTE SPECIFICATO (TOLERANCES, UNLESS OTHERWISE SPECIFIED)	DIA. ISOLANTE (INS. DIA. RANGE)	RANGO FILO (WIRE RANGE)	SCALA (SCALE)
± 0.3	-	-	-

ANGOLI (ANGLED) ± 2°

AMP AMP ITALIA S.p.A.
Corso F.lli Garibaldi, 15
COLLENO (TORINO)

6	UP-DATED	C.B.	3	83
5	UP-DATED	C.B.	10	82
4	ADDED PN ...-2	C.B.	9	81
REV.	REVISIONI (REVISION RECORD)	DIS. DATA (DRG. DATE)	APP. (APP.)	

DIS. C. BERTINI
2-90

DESCRIZIONE
(DESCRIPTION) 1 POS TAB ASS'Y

AMP SUPERSEAL 1.5 SERIES CONNECTORS

LOC. SIZE	NUMERO (DWG. NO.)	REV.	FOGLIO (SHEET?)
I A3	C-282103	6	DI (COP)

DISTRIBUZIONE
PRINT. DIST.